



Jesus commanded the people not to tell anyone about what He had done. But they did! People were overwhelmed with amazement.

Write the letter missing from each set on the line.

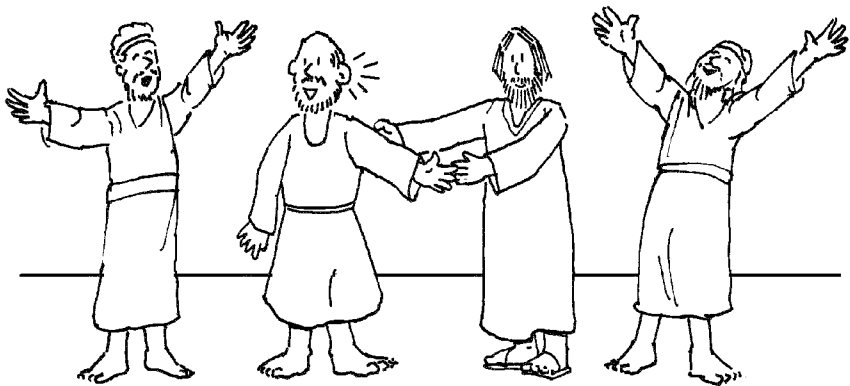
They said,

“He has everything .”
CEF MNP LMO CDF UVX DFG JKM KMN

He even makes the
CEF DFG YZB EGH

 and the
FGI CDF ZBC QST

 ”
LNO STV RSU DFG QRT NOQ CDF YZB IJL



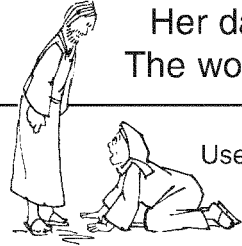
Ages 7+

September 8, 2024 • Mark 7:24-37

Faith and Healing

A woman fell at Jesus' feet.

Her daughter was possessed by an evil spirit. The woman begged Jesus to heal her daughter.



Use the puzzle below to find out what happened next. Cross out the first letter and every other letter after. (We have done the first 2 for you.) Then copy the remaining letters to the lines below and read the rest of the story.

~~A~~SphmenbkentiserveydbtwhmaptnJbecsdufskcporu
wlcdivhteslwpbhzekrnSghqeqhrawddfcabintwhpJyeds
kujsqsbacwdhfegrhfjakiltmhnapanqdrstevnwtytzhcebd
wermjoknhowuttqocfdhbezrqlyirtbtdlfejjqiwrml.

S h _____

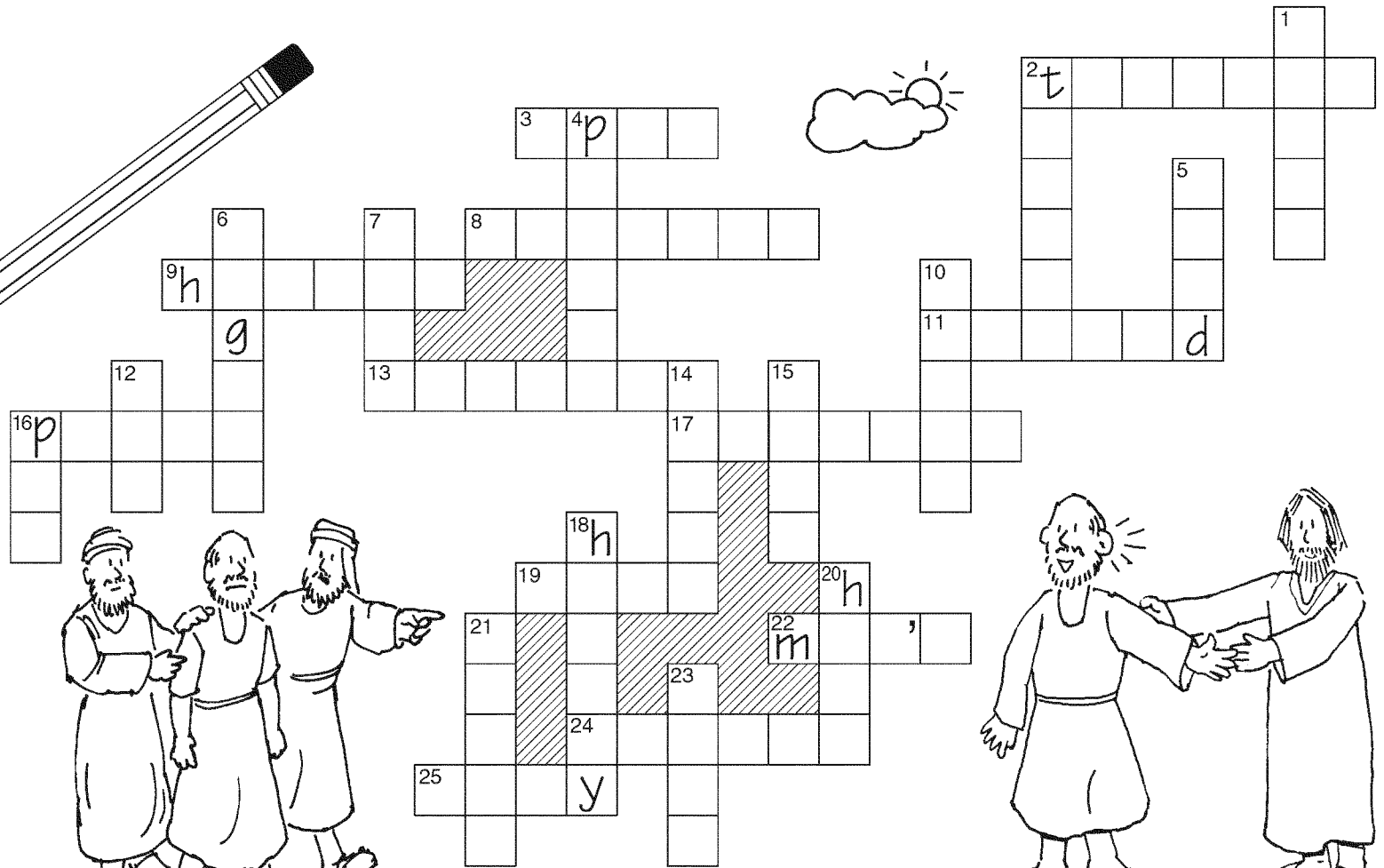
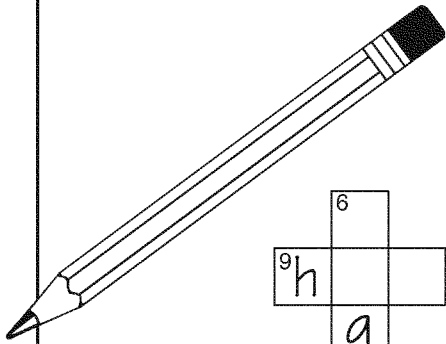
First United Methodist Church
101 E Main St, Westfield, NY 14787

10:00 AM Worship Service

Enter your **SECRET CODE** to unlock games @ games.childrensbulletins.com **SECRET CODE**
NXCMJ7

Fit the words in the puzzle. Transfer the letters to the story.

man crowd
 put speak
 deaf people
 talk hardly
 hand begged
 took tongue
 away looked
 man's heaven
 ears opened
 spit brought
 said fingers
 Jesus plainly
 could touched
 place



Some 4) _____ 8) _____ a 12) _____ to 1) _____ who was 7) _____ and 10) _____
 18) _____ 19) _____. They 6) _____ Him to 16A) _____ His 20) _____ on the 12) _____.
 He 23) _____ the 12) _____ 25) _____ from the 21) _____ and 16D) _____ His 13) _____ into the
 22) _____ ' 15) _____. Then He 3) _____ and 2A) _____ the 22) _____ ' 2D) _____.
 He 24) _____ to 9) _____ and 5) _____, "Be 11) _____!" The 22) _____ ' 15) _____ were
 11) _____ and he 10) _____ 14) _____ 17) _____.